



VALVE AUTOMATION
ISO 9001 CO.

SERIES : F



Suzhik

Drum Type of Control Valves

DESIGN
PATTERN
REGISTERED



P NEUMATIC ACTUATOR OPERATED
DRUM VALVE



E ELECTRIC ACTUATOR
OPERATED DRUM VALVE



S SOLENOID OPERATED DRUM VALVE



Drum Valve Pneumatic Operated

Catalogue No.
APL / 1092



Design Registered
No.: 234471

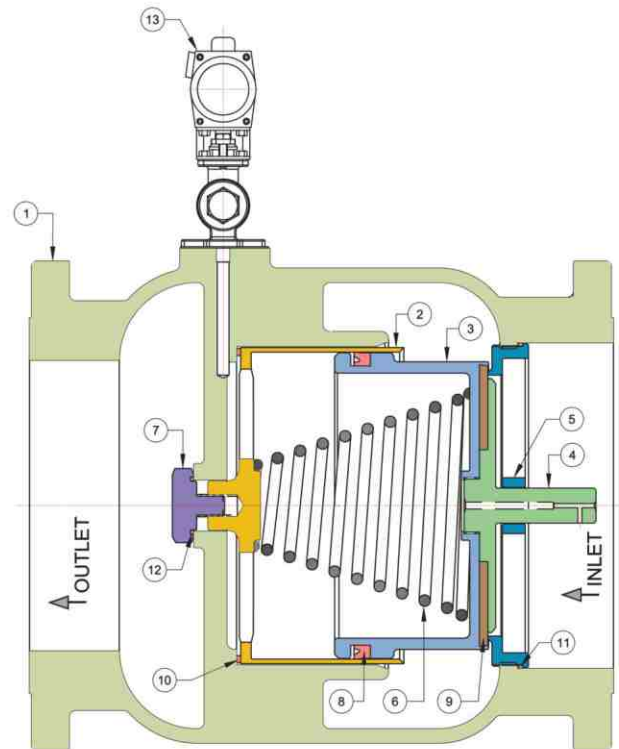
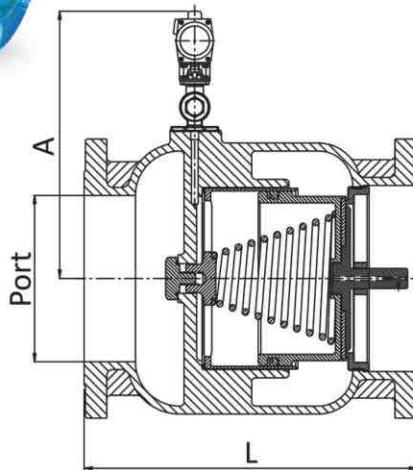


Size Range : 2" to 24" Flanged End

"Suzhik" Multi function Pneumatic Drum Type Control Valve can be used as isolating valve and also for flow controlling application. Special Design Namur style Ball Valve mounted on main valve, couple with Pneumatic Actuator for operation. Its simple Technique and heavy duty design impact a unique stands against other Control valve. High Flow factor and simple Pilot Control makes its very user friendly.

Features

- Exclusive smart design for Big size & cross country Water line Projects.
- High Cv Value, with Low Pressure Hammering
- Choice of operating Control available in Pneumatic Actuator like On Off / Modulating / On-Off with Feedback
- On-Off & Proportionate (Modulating) control having Input Single of 4~20mA available in Pneumatic Actuator
- Precise Pressure control and repeatability can be achieved for Proportionate Control Application.



Dimensions : (All Dimensions are in mm)

Valve Model	Valve Size		Port	A	L	CV	Weight Approx.
	MM	Inch					
DNF - 50	50	2"	59	257.5	190	75	10.380
DNF - 65	65	2.1/2"	69	267.5	210	105	13.160
DNF - 80	80	3"	84	282.5	225	140	18.780
DNF - 100	100	4"	110	295	250	260	24.540
DNF - 125	125	5"	131.5	313.5	280	390	50.760
DNF - 150	150	6"	158.5	336.5	310	550	50.760
DNF - 200	200	8"	208.5	374.5	420	1000	93.500
DNF - 250	250	10"	257	407.5	470	1699	125.520
DNF - 300	300	12"	302	441.5	530	2200	198.040
DNF - 350	350	14"	324	485	600	3000	266.100
DNF - 400	400	16"	345	485	604	4000	279.800
DNF - 450	450	18"	472	568	766.2	5300	458.500
DNF - 500	500	20"	472	568	772.7	6100	492.650
DNF - 600	600	24"	590	630	900	9200	----

No.	Description	Material
01	Body	C. I. / WCB / CF8 / CF8M
02	Cover	Stainless Steel 304 / 316
03	Plug	Stainless Steel 304 / 316
04	Piston	Stainless Steel 304 / 316
05	Piston Guide	Stainless Steel 304 / 316
06	Spring For Piston	S. S. 304
07	Piston Cover Lock Bolt	S. S.
08	V-Seal For Piston	NBR / Viton / EPDM
09	Piston Seat Ring	NBR / Viton / EPDM
10	Flat Ring	NBR / Viton / EPDM
11	O-Ring For Piston Guide	NBR / Viton / EPDM
12	O-Ring For Piston Lock Bolt	NBR / Viton / EPDM
13	Pneumatic Actuator Operated	Drum Type Pneumatic Actuator Operated Ball Valve

Note : Since, constant worldwide advancement in technology, We keep our rights reserved to make changes time to time in Technical specifications and Dimensions without prior notice.

Pub. on: January, 2015 (Rev.-01)

Drum Valve Electric Operated

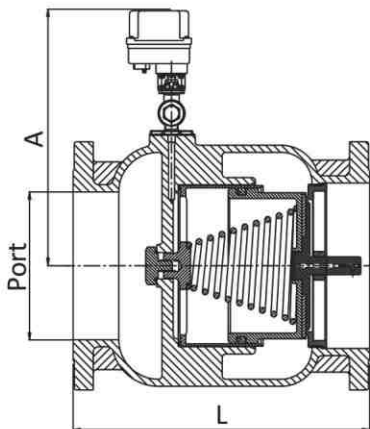
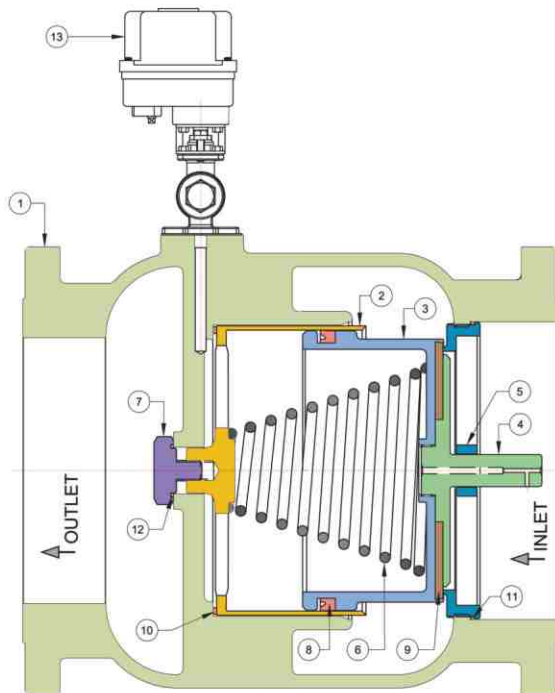
Catalogue No.
APL / 1093

Size Range : 2" to 24" Flanged End

"Suzhik" Multi function Motorized Drum Type Control Valve can be used as isolating valve and also for flow controlling application. Special Design Namur style Ball Valve mounted on main valve, couple with Electrical Actuator for operation. Actuator principle works on simple 220 V AC Supply. Its simple Technique and heavy design impact a unique stands against other Control Valve. High Flow factor and simple pilot Control makes its very user friendly

Features

- Exclusive smart design having motorized function used for Bigger sizes Municipal water Supply Boards & cross country Pipe line Projects.
- High Cv Value, with Low Pressure Hammering via smooth operation in Actuator
- Choice of operating Control available in Electrical Actuator like On Off / Modulating / On-Off with Feedback
- On-Off & Proportionate (Modulating) control having Input Single of 4~20mA available in Electrical Actuator
- Precise Pressure control and repeatability can be achieved for Motorized Proportional Control Application.
- Low Noise & Friction at the time of Controlling. Vertical & Horizontal installation can be done.



Suzhik

Design Registered
No.: 234471



No.	Description	Material
01	Body	C. I. / WCB / CF8 / CF8M
02	Cover	Stainless Steel 304 / 316
03	Plug	Stainless Steel 304 / 316
04	Piston	Stainless Steel 304 / 316
05	Piston Guide	Stainless Steel 304 / 316
06	Spring For Piston	S. S. 304
07	Piston Cover Lock Bolt	S. S.
08	V-Seal For Piston	NBR / Viton / EPDM
09	Piston Seat Ring	NBR / Viton / EPDM
10	Flat Ring	NBR / Viton / EPDM
11	O-Ring For Piston Guide	NBR / Viton / EPDM
12	O-Ring For Piston Lock Bolt	NBR / Viton / EPDM
13	Electric Actuator Operated	Drum Type Electric Actuator Operated Ball Valve

Dimensions :

(All Dimensions are in mm)

Valve Model	Valve Size		Port	A	L	CV	Weight Approx.
	MM	Inch					
DEF - 50	50	2"	59	292.5	190	75	10.080
DEF - 65	65	2.1/2"	69	300	210	105	12.860
DEF - 80	80	3"	84	317.5	225	140	18.480
DEF - 100	100	4"	110	325	250	260	24.240
DEF - 125	125	5"	131	348.5	280	390	50.460
DEF - 150	150	6"	158	365	310	550	50.460
DEF - 200	200	8"	208	409.5	420	1000	93.200
DEF - 250	250	10"	257	442.5	470	1699	125.220
DEF - 300	300	12"	302	476.5	530	2200	197.740
DEF - 350	350	14"	324	520	600	3000	265.800
DEF - 400	400	16"	345	520	604	4000	279.500
DEF - 450	450	18"	472	603	766.2	5300	458.200
DEF - 500	500	20"	472	603	772.7	6100	492.350
DEF - 600	600	24"	590	828	900	9200	-----

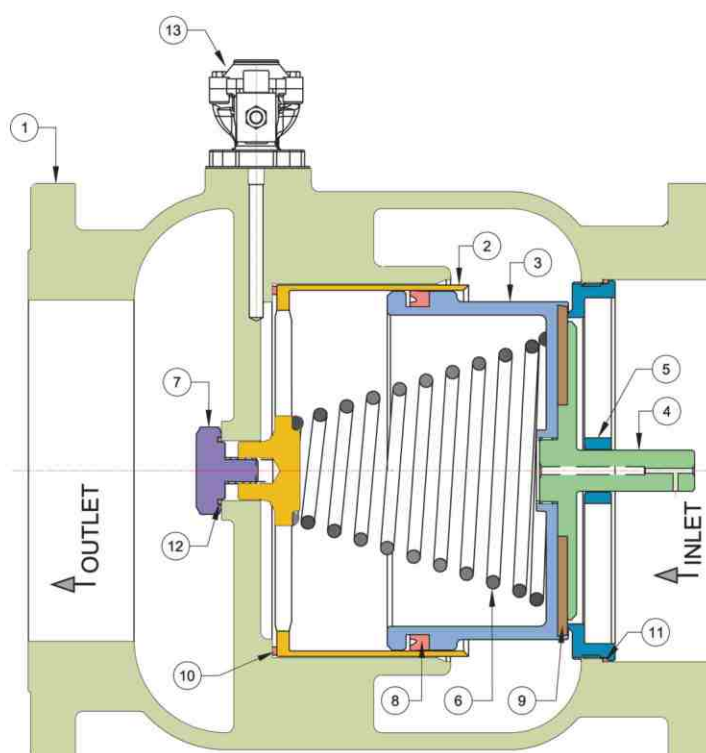
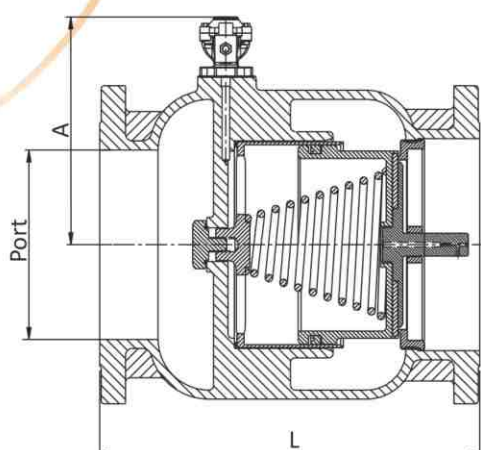
Note : Since, constant worldwide advancement in technology, we keep our rights reserved to make changes time to time in Technical specifications and Dimensions without prior notice.

Pub. on: January, 2015 (Rev.-01)

Drum Valve Solenoid Operated



Design Registered
No.: 234471



Size Range : 2" to 24" Flanged End

Features

- Valve Body is made by Stainless Steel #316, suitable for fluid, air and steam.
- The gate is balanced-pressure designed, which will not influence the outlet pressure caused by unstable inlet pressure.
- When the outlet pressure responds directly to the pressure control chamber and adjusts the setting pressure, it responds quickly and adjusts the pressure accurately
- Design of piston and diaphragm improves the inability of sustaining pressure and leakage.
- Pressure Adjusting Range : 1 ~ 6 kgf/cm², 4 ~ 10 kgf/cm², 8 ~ 13 kgf/cm²
- Pressure needed from fully-closed gate to fully-opened gate : 1.5 kgf/cm² (1 kgf/cm² = 14.2 psi)
- Applied Temperature : -15 ~ 100 °C, 100 ~ 180 °C (For steam)
- Valve Body Testing Pressure : 35 kgf/cm²
- Maximum Applied Pressure : 25 kgf/cm²

Dimensions :

(All Dimensions are in mm)

Valve Model	Valve Size		Port	A	L	CV	Weight Approx.
	MM	Inch					
DFS - 50	50	2"	59	137.5	190	75	8.980
DFS - 65	65	2.1/2"	69	147.5	210	105	11.760
DFS - 80	80	3"	84	162.5	225	140	17.380
DFS - 100	100	4"	110	175	250	260	23.140
DFS - 125	125	5"	131	193.5	280	390	49.360
DFS - 150	150	6"	158	216.5	310	550	49.360
DFS - 200	200	8"	208	254.5	420	1000	92.100
DFS - 250	250	10"	257	287.5	470	1699	124.120
DFS - 300	300	12"	302	321.5	530	2200	196.640
DFS - 350	350	14"	324	365	600	3000	264.700
DFS - 400	400	16"	345	365	604	4000	278.400
DFS - 450	450	18"	472	448	766.2	5300	457.100
DFS - 500	500	20"	472	448	772.7	6100	491.250
DFS - 600	600	24"	590	510	900	9200	---

No.	Description	Material
01	Body	C. I. / WCB / CF8 / CF8M
02	Cover	Stainless Steel 304 / 316
03	Plug	Stainless Steel 304 / 316
04	Piston	Stainless Steel 304 / 316
05	Piston Guide	Stainless Steel 304 / 316
06	Spring For Piston	S. S. 304
07	Piston Cover Lock Bolt	S. S.
08	V-Seal For Piston	NBR / Viton / EPDM
09	Piston Seat Ring	NBR / Viton / EPDM
10	Flat Ring	NBR / Viton / EPDM
11	O-Ring For Piston Guide	NBR / Viton / EPDM
12	O-Ring For Piston Lock Bolt	NBR / Viton / EPDM
13	Solenoid Valve	Drum Type Solenoid Valve STD.

Note : Since, constant worldwide advancement in technology, We keep our rights reserved to make changes time to time in Technical specifications and Dimensions without prior notice.

Pub. on: January, 2015 (Rev.-01)



Mfg. & Mkt by :

aira Euroautomation pvt. ltd.

ISO 9001:2008 Certified Co.

Ahmedabad-382 405, INDIA

www.airaindia.com / www.airaeuro.com



Available At :



Tel. +1.713.592.0869
info@valvact.com
www.valvact.com